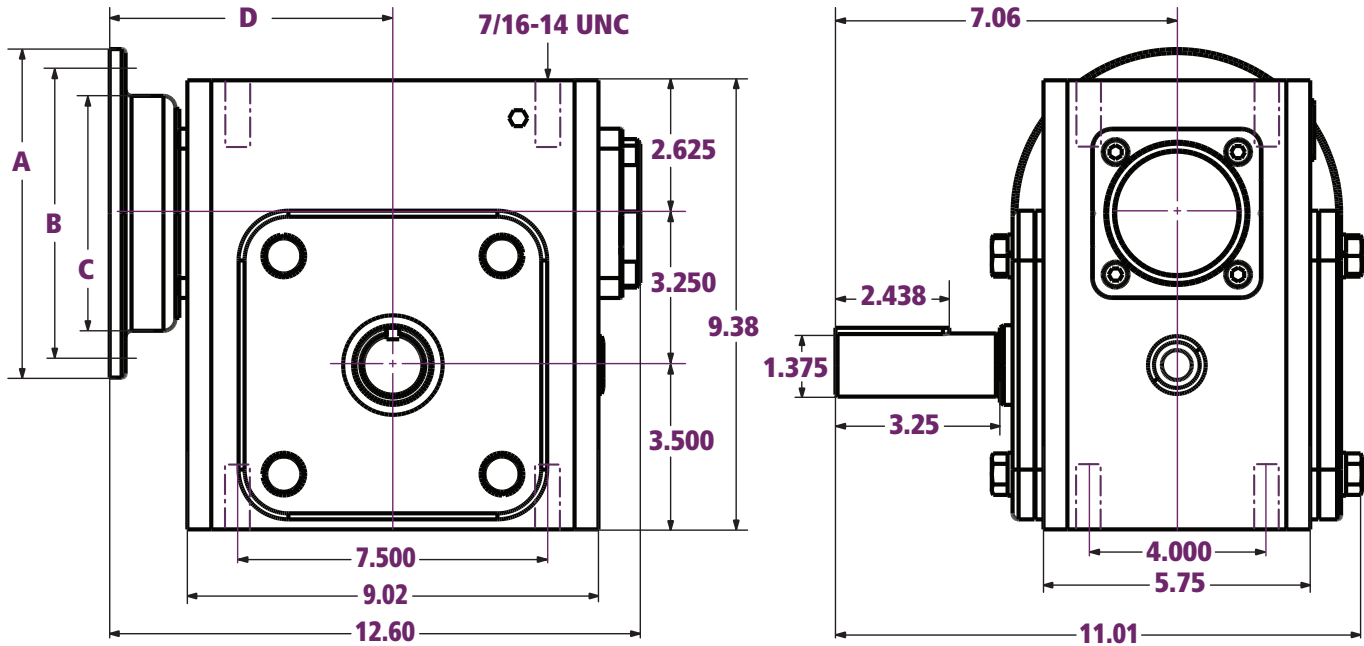




# X325 Dimensions

All dimensions listed in inches



## Motor Options & Dimensions (in)

NEMA Frame	Motor Shaft Dia. (in)	A	B	C	D
		OD Flange	Bolt Circle	Pilot Bore	Flange Depth
56C	0.625	6.50	5.88	4.5	6.06
140TC	0.875				
180TC	1.125	9.00	7.25	8.5	7.24

## Specifications

Center Distance	Weight (lbs)	Est. Oil Fill Amount* (oz)
3.250	74.8 [75.9] <sup>†</sup>	70.0

\*For Position 1

<sup>†</sup>Approximate weight for LR Handing

## Output Shaft

Output Shaft (in)	Output Keyway (in)
1.375	5/16 x 5/32

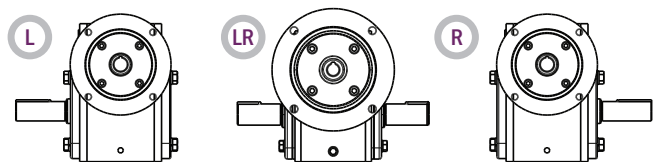
## Ratios

Nominal Ratios	Exact Ratios
5:1	5.3:1
10:1	10.3:1
15:1	15.5:1
20:1	19.5:1
30:1	30.0:1
40:1	40.0:1
50:1	50.0:1
60:1	60.0:1

## Efficiency

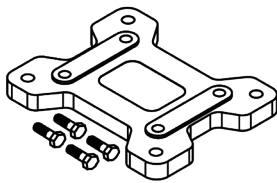
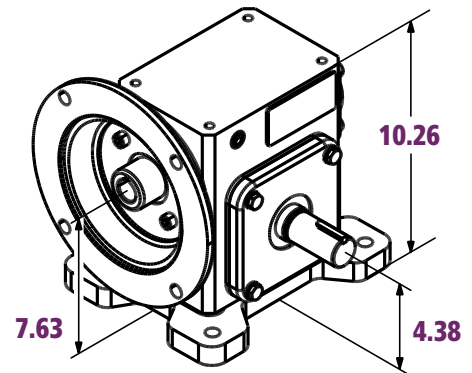
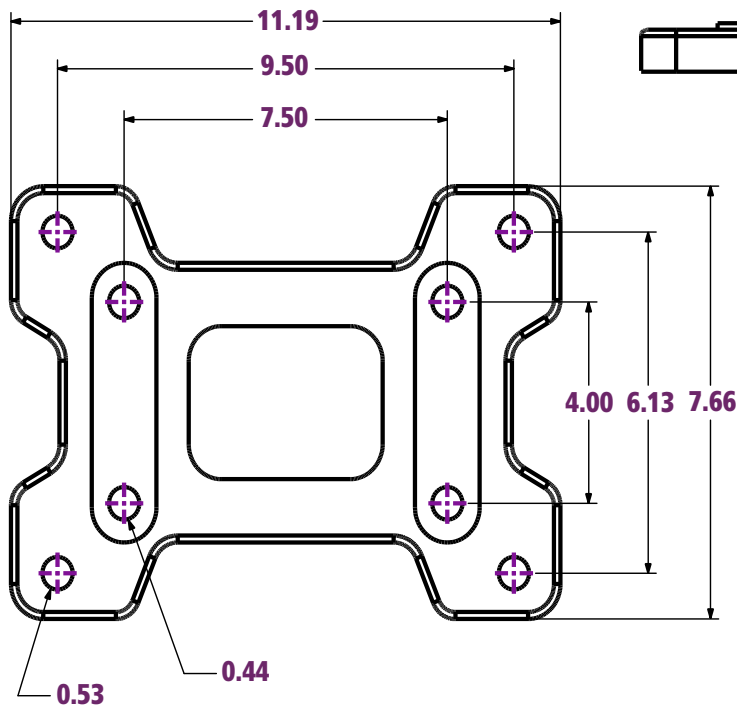
Nominal Ratios	Efficiency (%)
5:1	≈ 93
10:1	≈ 90
15:1	≈ 85
20:1	≈ 86
30:1	≈ 77
40:1	≈ 76
50:1	≈ 76
60:1	≈ 71

## Handing Types



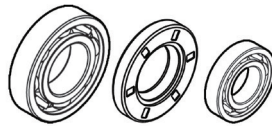
# X325 Accessories

## and X325 Base Kit Dimensions



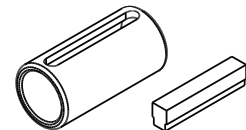
**Foot Mounted Base Kit**

XBK325



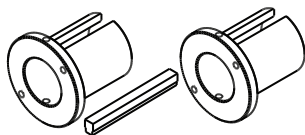
**Component Repair Kit**

XRK325



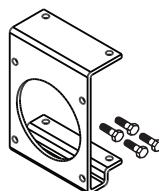
**Input Quill Adapter Option**

X143-56



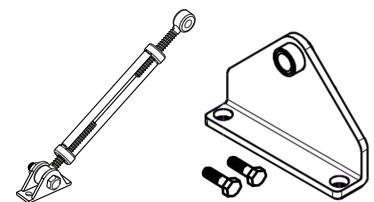
**Output Bushing Kits\***

Not Applicable



**Output Bracket Kit\***

XOB325



**Torque Arm Kit\***

XTA325

\*Made to order.